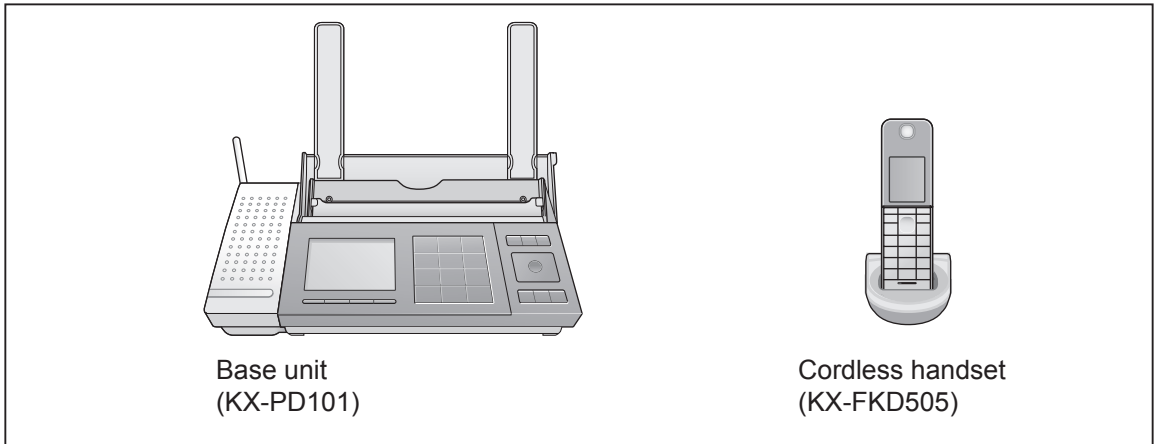


## Quick Reference Guide

Facsimile

Model No. **KX-PD101DL**



Base unit  
(KX-PD101)

Cordless handset  
(KX-FKD505)

- KX-PD101DL includes 1 cordless handset and 1 base unit.

### Table of Contents

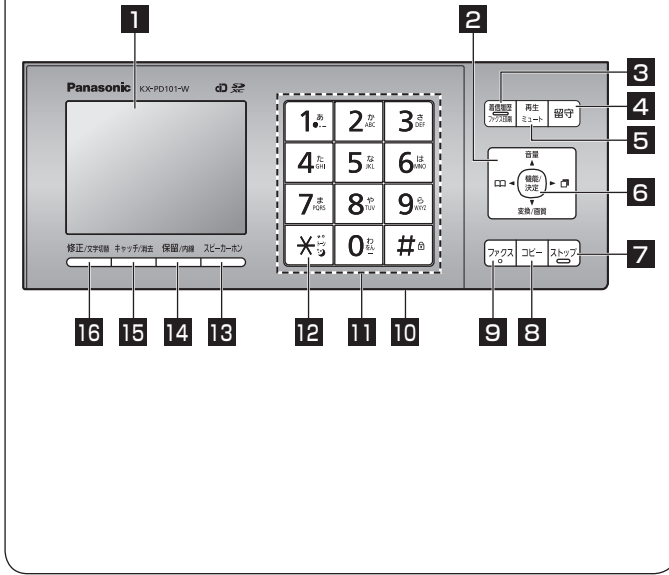
Parts Descriptions .....	2
Basic Operations .....	3

Thank you for purchasing a Panasonic product.

- This guide explains some basic features and operations, but not all of them. For further details, see the Japanese operating instructions.
- This product is designed for use in Japan.  
Panasonic cannot provide service for this product if used outside Japan.
- Any details given in this guide are subject to change without notice.

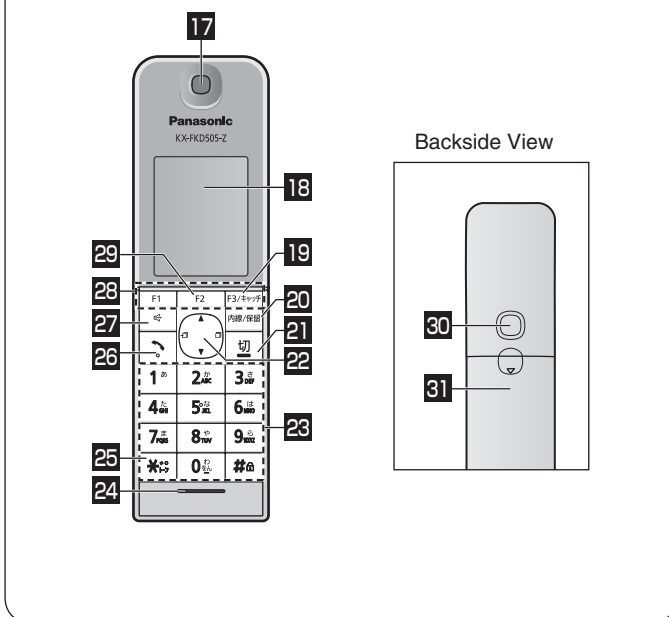
# Parts Descriptions

## Base unit



- 1** Liquid crystal display
- 2** Phone book button (☐ ◀) (Left)  
Redial button (▶ ☐) (Right)  
Volume control/Resolution button  
(音量 / 変換/画質)
- 3** Caller ID Log/Fax Print button & indicator
- 4** Auto Answer button & indicator
- 5** Playback/Mute button
- 6** Function/Set button
- 7** Stop button
- 8** Copy button
- 9** Fax button
- 10** Microphone (Front side)
- 11** Numeral/Character buttons
- 12** Tone button (to switch to DTMF tone)
- 13** Speakerphone button
- 14** Hold/Intercom button
- 15** Flash/Clear button
- 16** Edit/Character entry mode button

## Cordless handset



- 17** Earpiece
- 18** Liquid crystal display
- 19** Auto Answer button/Flash button
- 20** Intercom/Hold button
- 21** Off button
- 22** Caller ID button (☐ ◀) (Left)  
Redial button (▶ ☐) (Right)  
Volume control button (☐ ▲▼)
- 23** Numeral/Character buttons
- 24** Microphone
- 25** Tone button (to switch to DTMF tone)
- 26** Talk button
- 27** Speakerphone button
- 28** Multi-operation buttons
- 29** Phone book button  
Set button
- 30** Speaker
- 31** Battery cover

## Basic Operations

- The number after the button shows the location of the button described in the previous page.

### Base unit

#### ■ To make a call

Press **【スピーカーホン】** (Speakerphone: **13**). → Dial the phone number (**11**). → Talk. → To end the call, press **【スピーカーホン】**.

#### ■ To receive a call

When the phone rings, press **【スピーカーホン】**. → Talk. → To end the call, press **【スピーカーホン】**.

- When:
  - document reception is required,
  - a fax calling tone (slow beep) is heard, or
  - no sound is heard,Press **【ファクス】** (Fax: **9**).

#### ■ To place the current call on hold

Press **【保留】** (Hold: **14**) during a call.

#### ■ To retrieve the held call

Press **【スピーカーホン】**.

#### ■ To transfer the held call to the cordless handset

Press **【保留】** → **【#】** during a call. → Press **【1】 - 【6】** (Intercom No.). → Press **【スピーカーホン】** when the other party answers.

#### ■ To use TAM (Telephone Answering Machine)

When you leave home, press **【留守】** (Auto answer: **4**) to turn on the indicator. (To deactivate, press **【留守】** again to turn off the indicator.)

→ When receiving a call while TAM is activated, it answers the call automatically in Japanese, and records the incoming messages. Then, the **【留守】** indicator starts flashing.

→ When you return home, press **【留守】** to play back the messages. The **【留守】** indicator turns off and the answering mode is deactivated.

After playing back the messages, press **【✕】** (**12**) twice to erase the messages or press **【#】** to keep the messages.

To play back all messages while TAM is deactivated, press **【再生】** (Playback: **5**) → **【▼】** **【▲】** (**2**) to select “すべて再生” → **【決定】** (Set: **6**).

After playing back the messages, press **【✕】** twice to erase the messages or press **【#】** to keep the messages.

\*Up to 50 messages can be recorded for approx. 12 minutes in total.

#### ■ To hear recorded messages while away from home (Remote control)

##### Preparation before you leave home

Store a remote control number.

Press **【機能】** (Function: **6**) → **【#】** **【0】** **【0】** **【6】** → **【決定】**. → Enter the desired 4-digit number. →

Press **【決定】**, then press **【ストップ】** (Stop: **7**).

When you leave home, press **【留守】** to turn on the indicator.

##### To hear messages

Dial your home phone number. → While the outgoing message is played back, enter your remote control number. → Announcement. → Press **【4】**. → You will hear recorded messages if any.

##### NOTE

- This operation can be made only from telephones which can send DTMF signals.

### Cordless handset

#### ■ To make a call

Lift the cordless handset from the charger and press **【☎】** (Talk: **26**). → Dial the phone number (**23**). → Talk. → To end the call, place the cordless handset on the charger or press **【切】** (Off: **21**).

#### ■ To receive a call

When the phone rings, lift the cordless handset from the charger and press **【☎】**. → Talk. → To end the call, place the cordless handset on the charger or press **【切】**.

- When:
  - document reception is required,
  - a fax calling tone (slow beep) is heard, or
  - no sound is heard,Press **【機能】** (Function: **28**) → **【▼】** **【▲】** (**22**) to select “ファクス受信” → **【決定】** (Set: **29**) → **【はい】** (Yes: **23**)

#### ■ To make a call using the speakerphone (Hands-free talk)

Press **【☎】** (Speakerphone: **27**). → Dial the phone number. → Talk to the microphone (**24**). → To end the call, place the cordless handset on the charger or press **【切】**.

#### ■ To receive a call with the speakerphone (Hands-free talk)

When the phone rings, press **【☎】**. → Talk to the microphone. → To end the call, place the cordless handset on the charger or press **【切】**.

■ **To place the current call on hold**

Press **【保留】** (Hold: **20**) during a call.

■ **To retrieve the held call**

Press **【保留】** .

■ **To transfer the held call to the base unit**

Press **【保留】** → **【#】** during a call. → Press **0**.  
→ Press **【切】** when the other party answers.

■ **To transfer the held call to another cordless handset**

Press **【保留】** → **【#】** during a call. → Press **1 - 6** (Intercom No.). → Press **【切】** when the other party answers.

## Sending faxes/Copying documents

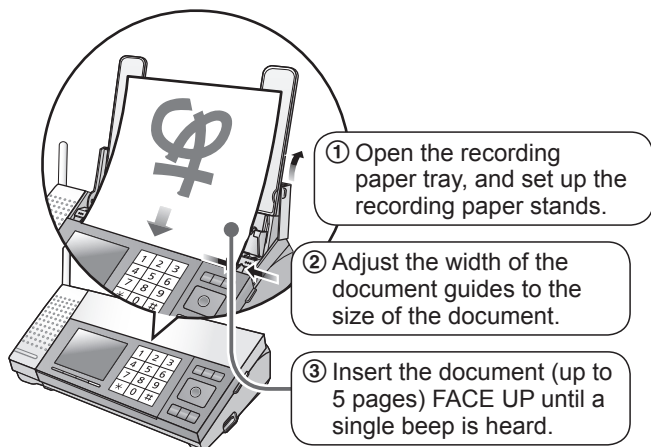
■ **Sending faxes**

Press **【ファクス】** (Fax: **9**). → Insert the document. → Dial the fax number. → Press **【ファクス】** .

■ **Copying documents**

Insert the recording paper. → Insert the document. → Press **【コピー】** (Copy: **8**).

■ **Installing document**



■ **Installing recording paper**

