



Panasonic

DSS Console *Quick Reference Guide*

Model No. **KX-T7740**

Important Information

When using the KX-T7740, keep the following conditions in mind.

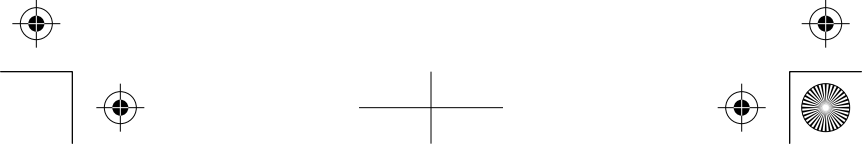
- If there is any trouble, disconnect the DSS Console from the telephone line and have it repaired.
- Keep the unit away from heating appliances and electrical noise generating devices such as fluorescent lamps and motors.
- The unit should be kept free of dust, moisture and vibration, and it should not be exposed to direct sunlight.
- Do not use benzine, thinner, or the like, or any abrasive powder to clean the cabinet. Wipe it with a soft cloth.
- Do not disassemble this product. Dangerous electrical shock could result. The unit must only be disassembled and repaired by qualified service technicians.
- When a failure occurs which results in the internal parts becoming accessible, disconnect the telephone line cord immediately and return this unit to service centre.

WARNING:

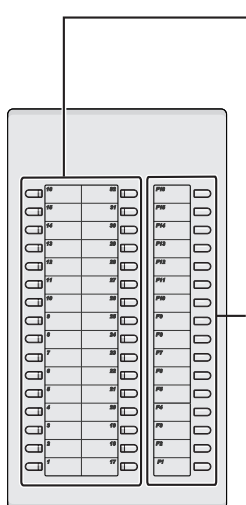
TO PREVENT FIRE OR SHOCK HAZARD, DO NOT EXPOSE THIS PRODUCT TO RAIN OR ANY TYPE OF MOISTURE.

Note:

In this manual, the suffix of each model number is omitted.



Location of Controls



DSS Buttons with Busy Lamp Field (BLF):

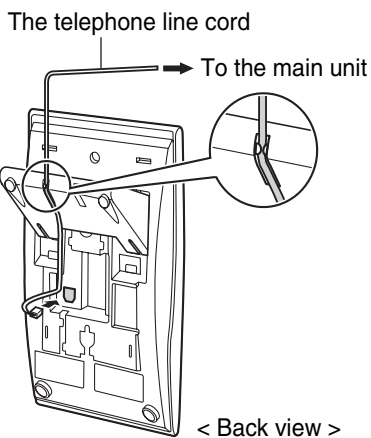
To access an extension, simply press a DSS button. These buttons also can be assigned for the one-touch dialling. The BLF indicates the current status of the corresponding extension.

Function Buttons:

You can access various functions with one touch once the buttons are programmed.

For the programming, refer to the user manual of the main unit.

Connection



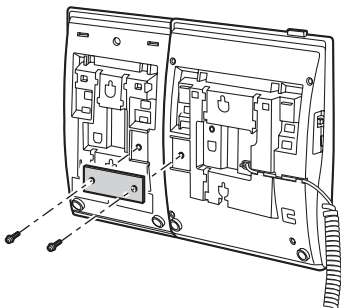
CAUTION

Ensure the cord is inserted in the groove to prevent damage to the connector.

Attaching a Proprietary Telephone

This unit can be connected to a Panasonic proprietary telephone (e.g., KX-T7700 series).

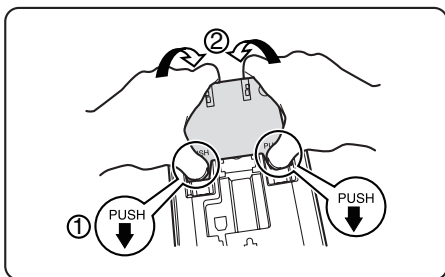
Use the attachment plate and screws.



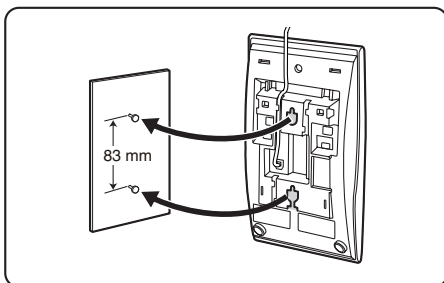
Wall Mounting

This unit can be mounted on a wall.

- 1 Remove the attached stand.



- 2 Mount the unit on the wall.





This product is intended to be connected to
Panasonic KX series PBX only.

For information of Compliance with EU relevant
Regulatory Directives,

Contact to Authorised Representative:

Panasonic Testing Centre

Panasonic Marketing Europe GmbH

Winsbergring 15, 22525 Hamburg, Germany

Panasonic System Networks Co., Ltd.

1-62, 4-chome, Minoshima, Hakata-ku,

Fukuoka 812-8531, Japan

© Panasonic System Networks Co., Ltd. 2001

PSQW1775UA-VB KK1001YK5026